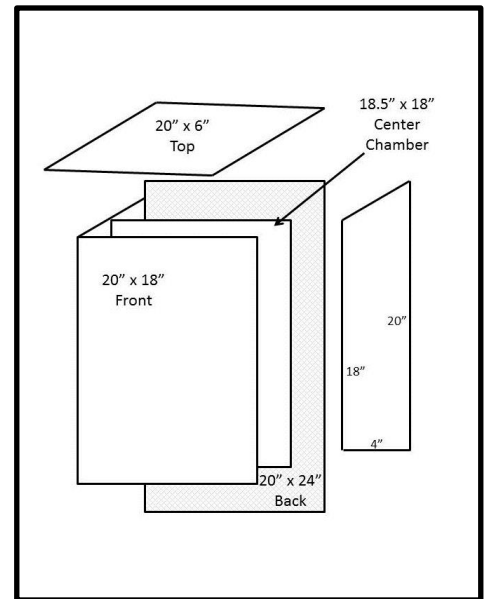


Traditional Bat Box

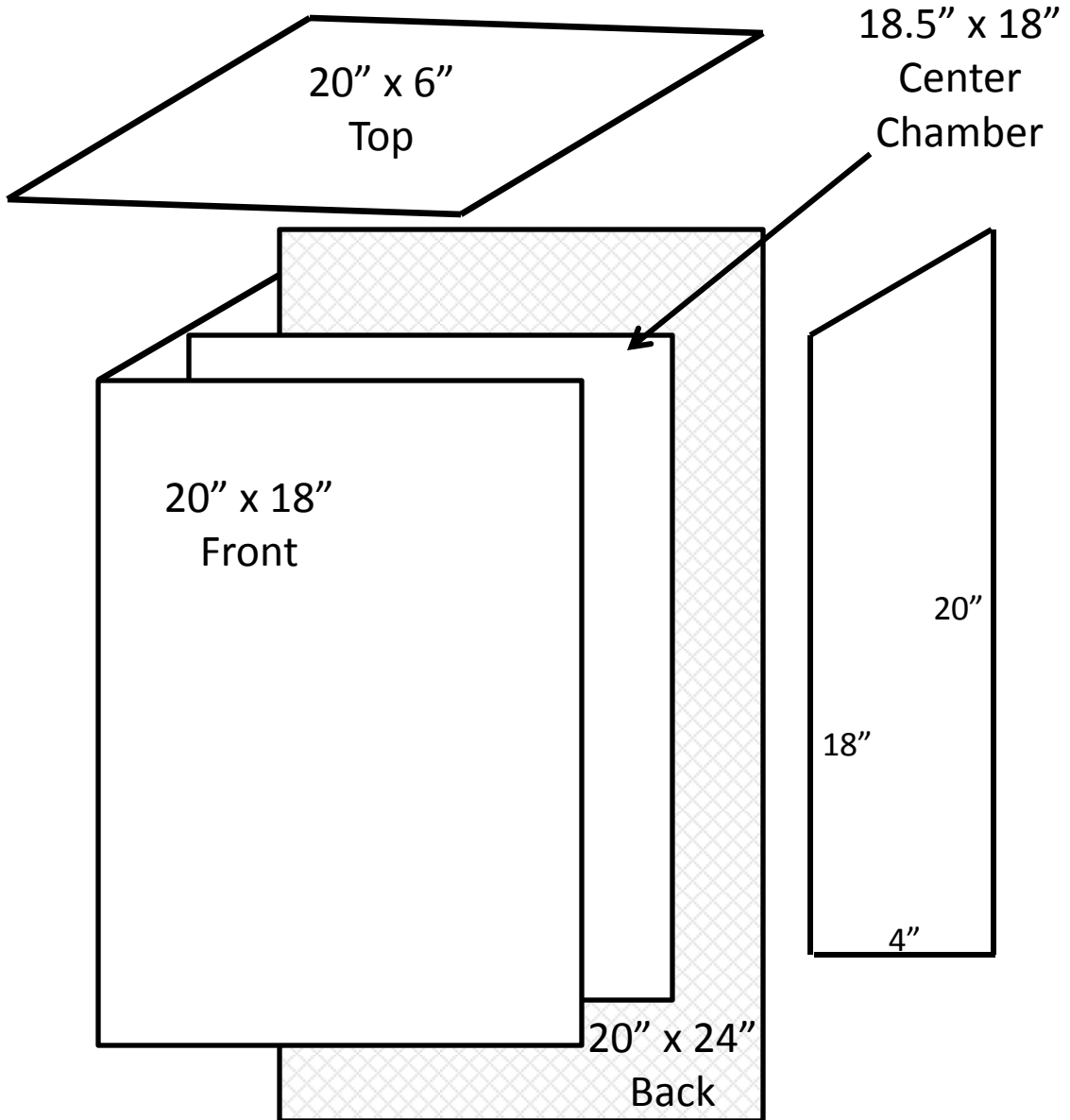
- This box will hold ~100 bats
- Scale up plan for a larger box
- You may use an **exterior quality water-based paint or stain** to darken and protect the box
- Mount it at least 15' above ground in a sunny location
- Use an oak or metal post for long life

Instructions:

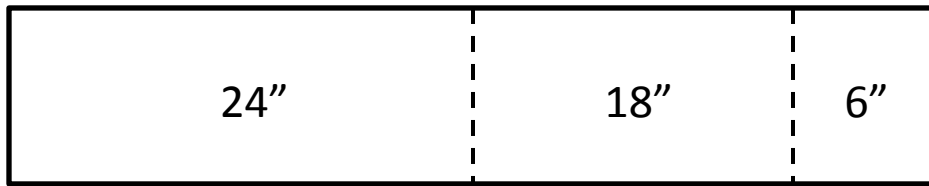
- Rough up inside of front and center boards with **knife** or **screwdriver**
- Use **sandpaper** to smooth edges of boards and hole through center board
- Attach front and back to 1 side board (use **wood glue**, then **nails**)
- Attach 2nd side board
- Slide center board in and use spacers to fix crevice widths; nail this to sides
- Attach roof with nails, then use **4 screws** to secure and flatten
- Sand top of roof to promote water runoff
- Caulk edges around roof with **silicone**



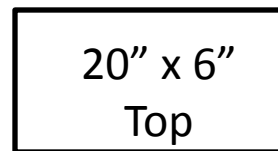
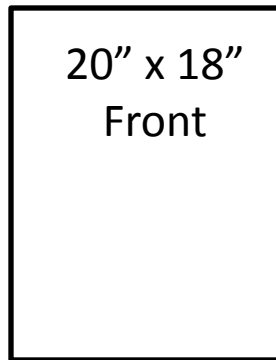
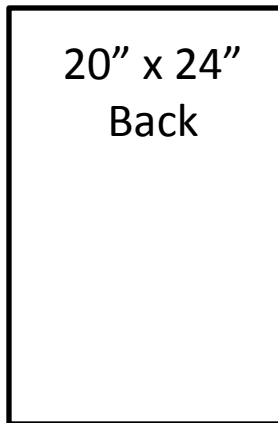
Traditional Bat Box Design



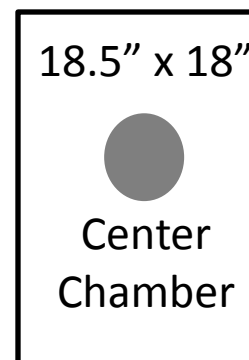
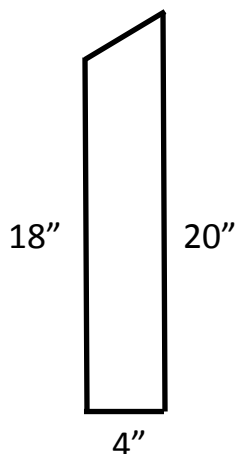
Traditional Bat Box Design



A 1" x 20" x 4' board will make the back, front and top of the bat box. The best wood to use is cedar, but others will work. Do not use treated lumber.



Use a utility knife to score the interior facing side of the front and back boards or cut transverse ridges into wood or attach plastic (not metal) window screening to create a place for bats to hang (less desirable because the mesh will come off over time).



The sides are 1" x 4" boards with an angle cut at the top. One side of the board is 20" and the other is 18". **Two** of these boards will be needed.

The center chamber should butt up against the top board and may not extend to the bottom of the bat box. Ideally, cut a 2-3" hole in the center of this piece using a hole saw so bats can pass through..

Supplies

- 20 - 1"x 20"x 4' **OR** 10 - 1"x 20"x 8' boards (for front, back and tops of boxes)
- 5 - 1"x 20"x 6' boards (for inside board, can get 4 - 18" pieces from 1 board)
- 7 - 1"x 4"x 10' boards (for sides of boxes)
- deck screws (need 80 for the tops so a 1lb box will cover it)
- finishing nails
- wood glue

- other tools/supplies
- sand paper

- utility knife or screwdriver

- hammers
- drills
- hole saw (for middle chamber)
- saw to cut boards

- silicone? silicone gun?

A few notes

- Suggest using pine boards rather than plywood. Note that boards are actually smaller than advertised (e.g., 20" board is really 19.5"), but these plans use the advertised sizes.
- Can use 1 ½" deck screws all around, but this will require several drills
- Alternately, can use finishing nails (easy to sink into wood, so no popping later). Eventually these will rust, but will be less likely to do so if the box is painted. Still use deck screws on top.
- Don't necessarily need to paint boxes at the workshop, but we could. Takes about 30 minutes to put these together if all the pieces are ready beforehand.